



SALES INFORMATION & SPECIFICATIONS

Ross Associates

Date: 1/04
Restrictions: None

**Pan & Tilt
with
DTMF
Decoder**

Pan & Tilt with DTMF Built-in Decoder MODEL # PTZ-357



\$1,895.00

Specifications:

Angular Travel:	
Pan:	300 Degrees
Tilt:	+/- 30 Degrees
Camera Load:	11 Lbs
Inverted:	6.5 Lbs
Dimensions:	3.6" x 4.25" x 5.76"
Input Voltage:	6 to 12 Vdc
Temperature Range:	-10 to 45 C
Programming:	DTMF
Speed:	Variable
Weight:	2.86 Lbs

Features:

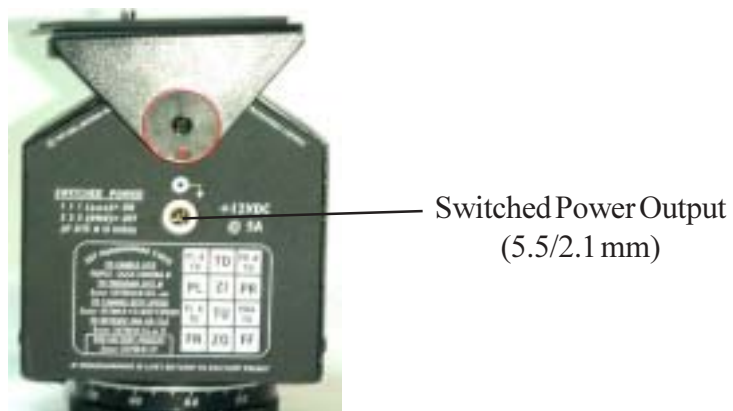
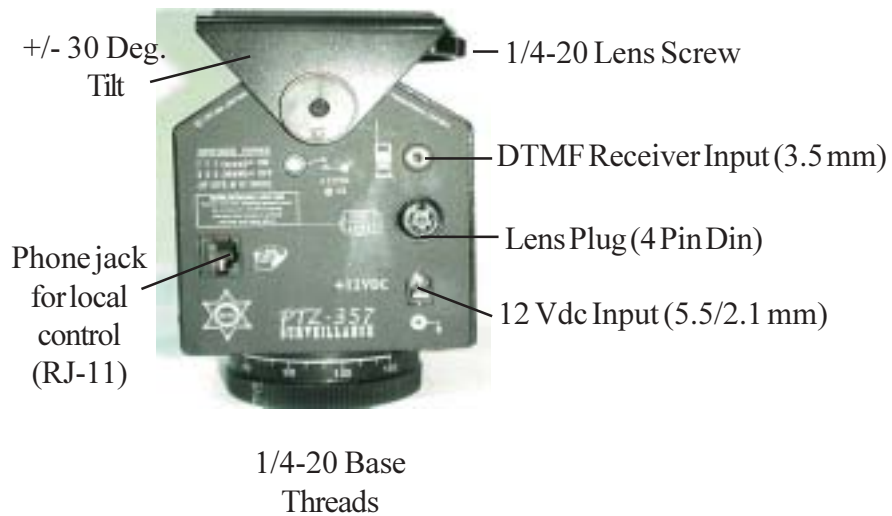
- Built in Controller for all Functions
- Programmable
- 12 Vdc Operation
- Remote 12Vdc/5 Amp relay Output
- Local Control
- Optional ID for Multiple unit Operation
- Radio or Telephone Control

Description:

The PTZ-357 is a small, but powerful, pan & tilt unit that can handle a camera and lens load on 11 lbs. The pan & Tilt incorporates a DTMF decoder that drives the pan & tilt plus the three lens functions of zoom, focus and iris. The unit also has a built-in on/off relay that will deliver 12 Vdc @5 amps to a video microwave transmitter or other device. The unit may also be programmed with and ID so that 4 units may work directly with out KSE-202 Camera Controller. The standard lens 4 pin DIN connector plug directly into the side of the pan & tilt. An RJ-11 photo jack is also available for local control of all functions be just plugging in a phone handset.

Visit our web site www.covert-systems.com

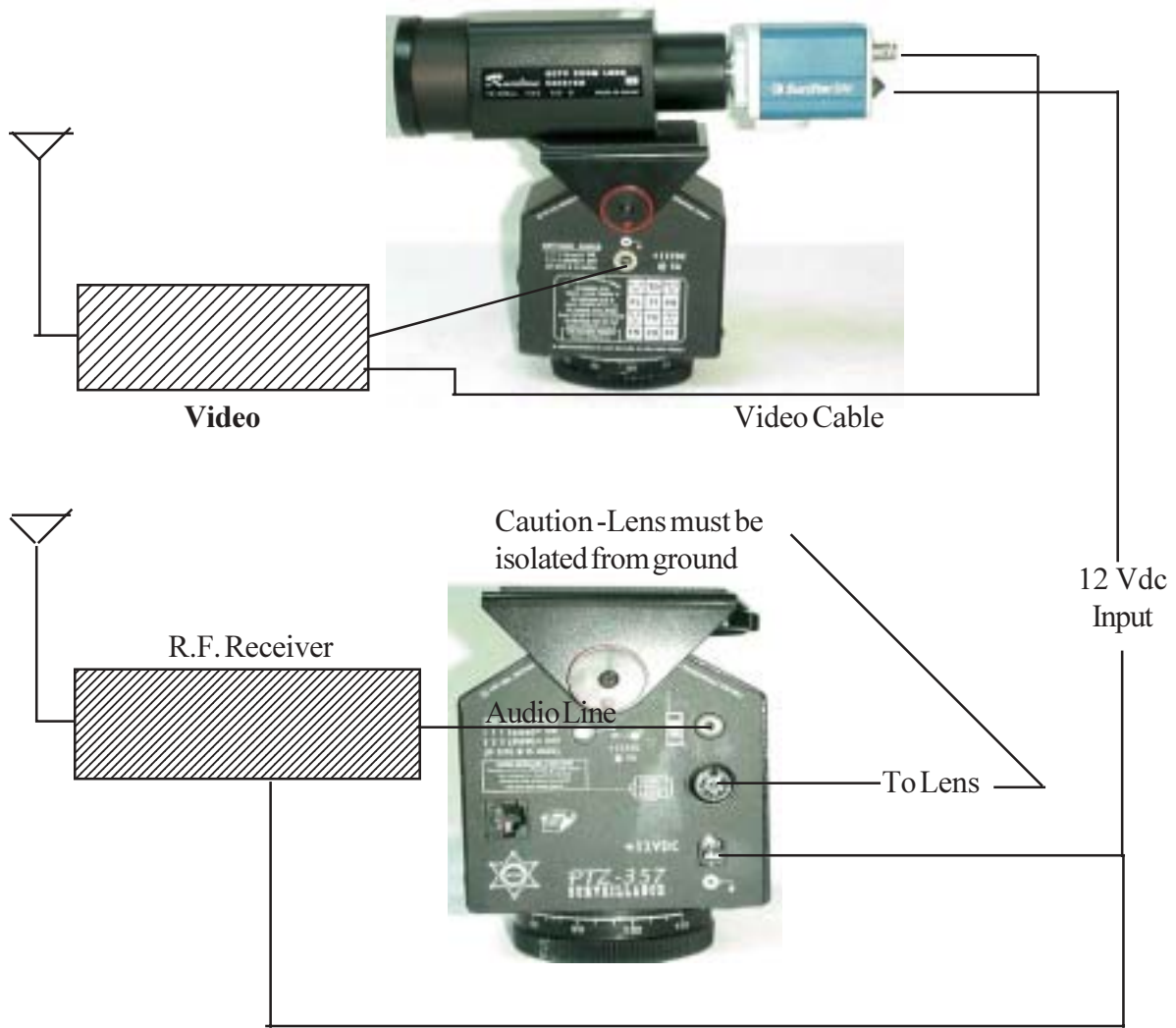
2495 Vista Dr. • Upland, CA 91784-8355 • 909-981-8855 • FAX 909-981-7386 • Email: sales@covert-systems.com



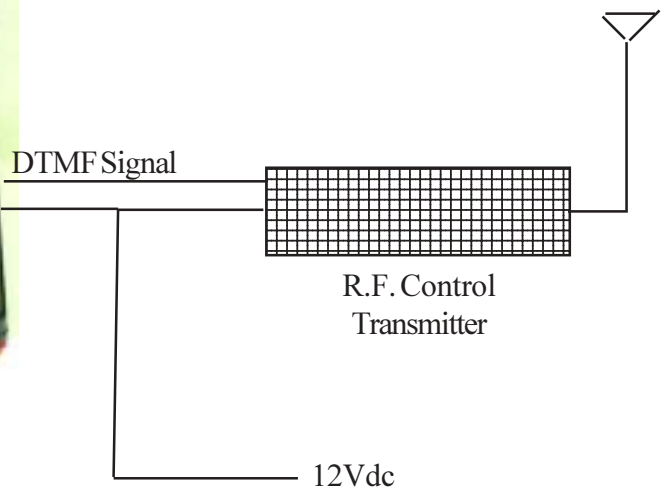
Standard DTMF function codes

- # Focus Far
- * Focus Near
- 1 - Push 3 times to turn on internal relay
- 3 - Push 3 times to turn off internal relay
- 2 - Tilt Down
- 8 - Tilt Up
- 4 - Pan Left
- 6 - Pan Right
- 5 - Zoom In
- 0 - Zoom Out
- 7 - Iris Close
- 9 - Iris Open

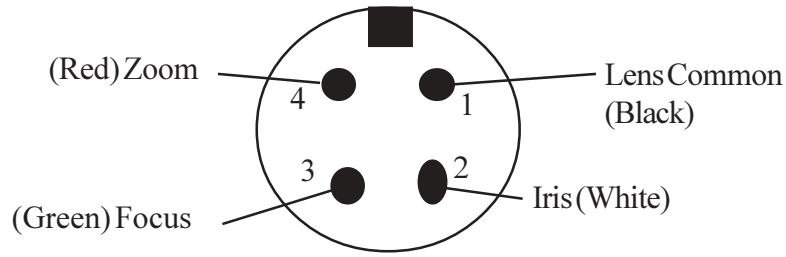
Typical System Hook-up



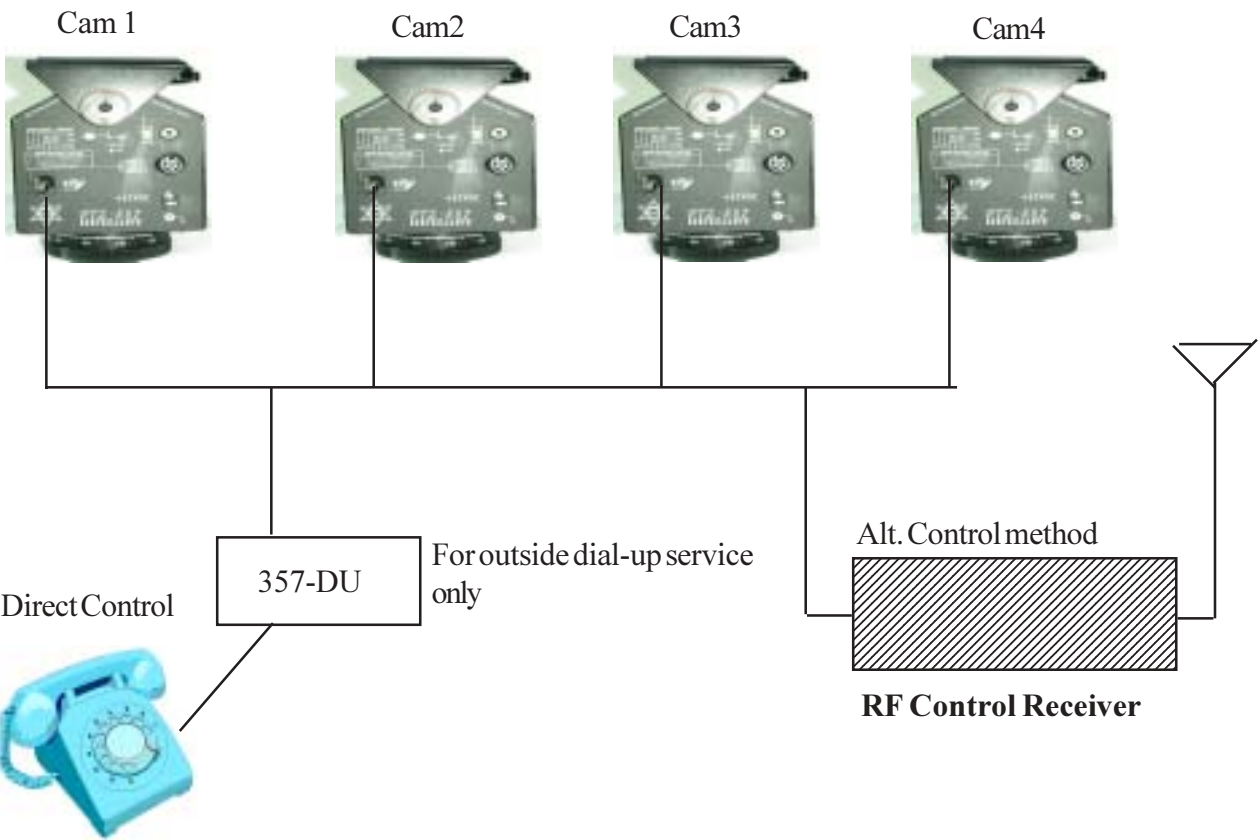
KSE-202 Camera Controller
See our receiver kits



4 - Pin Mating Male
Wiring View



Lens Wiring Diagram



This could be any DTMF
Type phone or seperate
DTMF Encoder



Shown with our E1 Encoder

This new Video Microwave Receiver/recorder was designed to offer a small video receiver/recorder package with all the power of large units. The Digital/Hi-8 recorder has a built-in date time generator for accurate recording. The high resolution of 450 lines with digital zoom. The microwave receiver is fully tunable over the entire police band plus more. The new dual diversity receiver minimizes multipath signals. The built-in audio amplifier and speaker allows easy monitoring of the one audio subcarrier. A built-in DTMF encoder and transmitter controls the pan & tilt as well as the camera zoom and focus.

KSR-3650-E1 Receiver Package \$6995



Shown with our KSE-202 Encoder

This kit is basically the same as the above unit except this is the unit with the built-in KSE-202 DTMF encoder and uses a single channel analog Receiver.

KSR-3575-E2 Receiver Package \$4575

KSR-3550-E1 Receiver Package \$7100

This is with a E1 Encoder and a GMS receiver
30+ Channels

Check out our web site for the latest designs
www.covert-systems.com